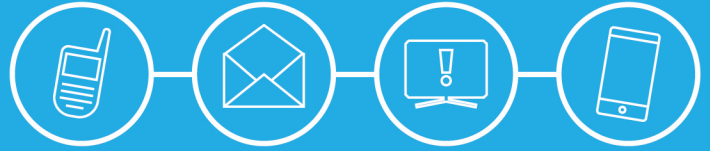


R-LinX



The clever little alarm handler, capable of sending alerts to your two-way radio, email, workstation and smartphone.



New
WiFi
Call
Buttons

WHEN IT COMES TO AN EMERGENCY, EVERY SECOND COUNTS.

You have little or no warning that an emergency situation is about to happen, it's therefore essential to be prepared.

The safety of your staff and visitors, plus security of your facility depend upon a swift response. **R-LinX** alarm handler provides a simple solution. Should a scenario occur you'll be able to react quickly and calmly, discover false alarms, commence your phased evacuation or invacuation with the minimum of panic and maximum efficiency.

Connecting to your fire alarm, intruder alarm, BMS and call buttons, **R-LinX** alarm handler immediately relays notifications to you and your team in real time. Automatically, following your predetermined alert strategy, warnings are sent to the right people at the right time for the quickest response – saving precious seconds.

No requirement for additional devices, **R-LinX** utilises the reliable radio network for communication delivery, notifications can be sent through to your digital two-way radios and even via SMS to smart devices. Now with terminal alert, send discreet messages in the form of a pop-up window on workstation screens. This will appear, no matter what other programs they are using at the time, the message cannot be ignored - you can rest assured that the notification will not be missed.

The image features a central photograph of the R-LinX alarm handler, a grey DIN-rail mountable device with a yellow top panel. The top panel has the text 'R-LinX Intelligent Control Unit 2.0 Amps' and 'Prattex & Connors Ltd'. Callout lines point to various features: '4x USB 2.0 Ports' on the left side, '4x Onboard Contact Closures (Easily expandable to 12 via a Brainbox ED-588 GPIO module)' on the top surface, and an 'RS232 or RS485 Serial Port' on the right side. Three circular callouts provide statistics: '346 Fire related fatalities* (3,297 non fatal casualties requiring hospital treatment)', '£1 billion Estimated losses per year attributed to false alarms* (Due to disruption and loss of productivity in businesses.)', and '222,997 False Alarm Calls requiring attendance by the Fire Service* (TOTAL 566,572 call outs)'. The device is set against a blue background.

4x Onboard Contact Closures (Easily expandable to 12 via a Brainbox ED-588 GPIO module)

4x USB 2.0 Ports

346
Fire related fatalities*
3,297 non fatal casualties requiring hospital treatment

£1 billion
Estimated losses per year attributed to false alarms*
Due to disruption and loss of productivity in businesses.

222,997
False Alarm Calls requiring attendance by the Fire Service*
TOTAL 566,572 call outs

RS232 or RS485 Serial Port

Power Consumption: +5V DC, 2.6 Amps
Dimensions: 120mm x 110mm x 23mm
Din Rail Mountable

*Fire and rescue incident statistics: England, year ending Sept 2017



CONNECT YOUR ALARMS



- Easily integrates with emergency and essential alarms, to deliver critical information.
- Simply connects to fire alarm systems, intruder alerts, BMS and technical/machine alarms.
- Connect, control and monitor your access systems; open gates, barriers and doors by sending pre-set radio messages from your two-way radio.



ALERT YOUR DEVICES



- Two-way radio - Hytera or Motorola DMR Radio.
- Email – Network connection required.
- Workstation alert - Essential alarm notifications pop-up on PC's and terminals. Taking priority over the screens current contents.
- Smartphone – SMS text message requiring D-Link USB Dongle and SIM card.



ESCALATE YOUR WAY

- Build your own tailored three stage alert strategy.
- Send a key word text from your two-way radio, mobile phone, call button press etc. to automatically start the alarm escalation.
- Automatically contact who you choose in the correct order of priority.
- Enjoy the peace of mind an alert will not be missed.



SAVE YOUR RESOURCES



- Full message detail, respond directly to the source of the incident in the quickest possible time.
- Discover false alarms, avoid unnecessary downtime and evacuation.
- No Licence fees.



LONE WORKER PROTECT YOUR TEAM

- Protect your workforce that work alone.
- Automatic 'alive checks' sent at regular intervals, no response and an alert is raised.
- Send a key word text from your two-way radio to automatically start and stop the Lone Worker timer.
- Simple activity report.



WiFi CALL BUTTON ALERT YOUR TEAM

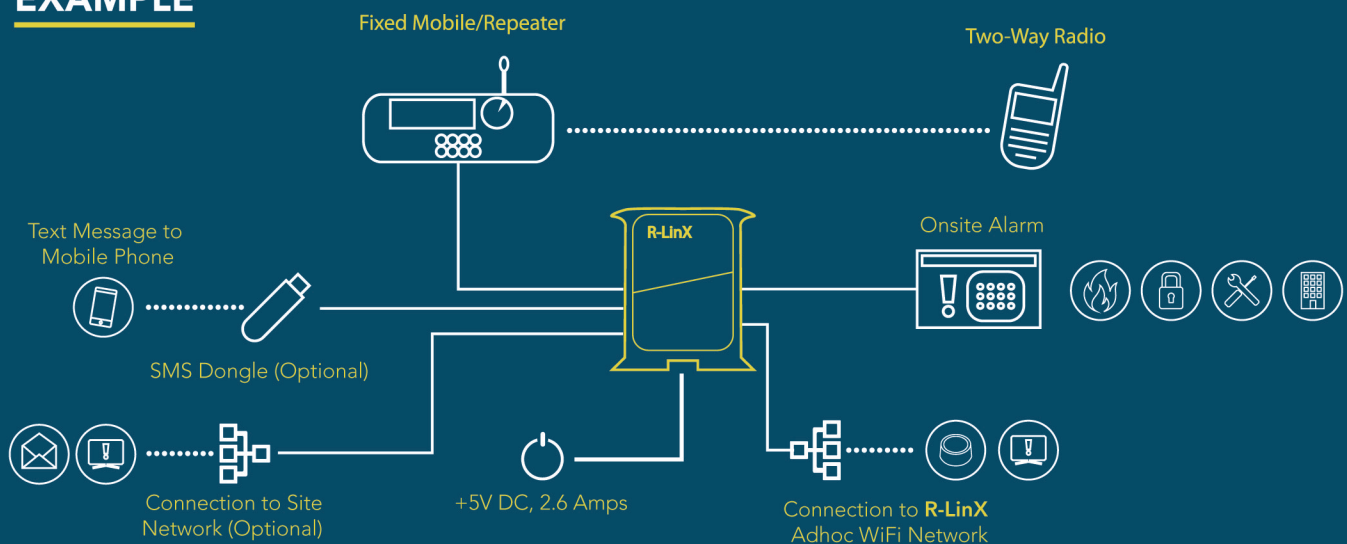
- Smart, wireless call button. Simply send alerts and requests to Hytera and Motorola radios.
- Long and short press for different message, with LED feedback ring for confirmation.

TAKE CONTROL WITH REAL TIME CRITICAL INFORMATION AT YOUR FINGERTIPS.

R-LinX easily integrates with your essential alarm systems; use your two-way radio to manage incidents and improve safety.

- Essential as part of your fire evacuation strategy.
- **24 Hour monitoring** of remote and unoccupied buildings.
- No need for constant watching by the control room, alerts are delivered wherever you are in the format that suit you best.
- Reassurance that you can **react quickly** to keep your site, staff and guests safe. Respond straight to the source of the alert in the shortest time.
- **Discreet Silent Alarm** – Commence pre-arranged plans to ensure a safe evacuation, prior to activating a full general alarm.
- **Delayed or localised alarm** - Give trained personnel the chance to determine the cause, discover false alarms or contain the issue, before full unnecessary evacuation.
- **Pre-Alerts** – Know if an alarm condition is approaching, discover and mitigate potential issues, before escalating to a disruptive alarm state.
- **Discover false alarms** - Avoid unnecessary disruption that may affect your customer service or productivity resulting in downtime.
- Improved safety with reduced **"alarm fatigue"**, desensitization staff and visitors experience from continuous exposure to frequent, often non-actionable alarms. I.e. false or technical alarm conditions.
- **Greater control**, open gates, barriers and doors by sending pre-set radio messages

EXAMPLE



To discover the full potential of **R-LinX** contact your radio supplier or the team at GlobalView Systems Ltd.



UK Based



Dedicated Support Team



Established 2003

01482 772536

www.globalviewsystems.co.uk

contact@globalviewsystems.co.uk

Proudly created for you by:

GLOBALVIEW
RESEARCH & DEVELOPMENT

The Shine, St Mark St, Hull HU8 7FB